



**MODEL 1042 DMM/DMD LEGACY
POWER 19.2GPD**

Includes all components normally required for complete installation

MHX3 Humidistat (2 wire) for DMM

X3 for DMD (4 wire)

GF990-13 Evaporator Pad

15' Drain Hose 5/8" diameter

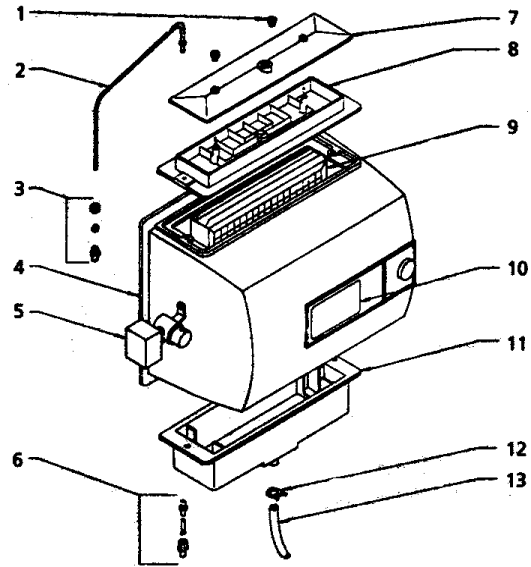
Transformer, Solenoid Valve, Saddle Valve

2' Flexible Bypass Duct

Optional Narrow Duct Adapter Plate

10' Water Supply Tubing, 10' Low Voltage Wire

5 Year Warranty



Item	Description	Product Code	Qty Req'd
	Model 1042DMM C/W MHX3 Humidistat	GF-1042DMM	1
	Model 1042DMD C/W X3 Humidistat	GF-1042DMD	1
1	Thumb Nut	GP-1099-9	8
2	Distributor Tube	GF-10425	1
	Compression Nut	GP-P103	1
3	Compression Sleeve	GP-P104	1
	Connector Only	GP-P111	1
4	Cabinet Assembly 24 V	GF-104216	1
5	Solenoid Valve 24V (includes fittings)	GF-990-53	1
	Orifice & Strainer Assembly (std water pressure 40-120PSI)	GF-9903776	1
	Orifice & Strainer Assembly (low water pressure 20-40PSI)	GF-9903775	1
7	Trough Cover Assembly	GF-1137-35	1
8	Distributor Trough	GF-1137-4	1
9	Evaporator Pad (6/ctn)	GF-990-13	1
10	Inspection Plate **Not Available**	GF-104239S	1
11	Drain Pan	GF-1137-3	1
12	Hose Clamp (for 1099-16)	GP-P163	1
13	Drain Tube (15' of 5/8" ID)	GP-1099-16	1
	Transformer 24V	GP-81-45	1
	Manual Humidistat	GF-MHX3	1
	Digital Humidistat Wall or Duct Mount	GF-X3	1
	Saddle Valve Assembly Self Tapping	GP-81-51SPV	1
	10' Poly Water Supply Kit	GP-81-60	1
	6' Flexible By Pass W/Collar	GP-81-57	1
	10' 24V Low Voltage Wire	GP-81-24	1
	Humidifier Mounting/Adapter Plate	GP-1040AD	1
	Metal Plenum Ring	GP-1040-13	1
	Damper Kit Assembly	GF-1042-3	1
	Installation Kit for 1042	GF-1042-20	1